

MULTI CYCLONE

CENTRIFUGAL PRE-FILTRATION

Installation and Operation Manual



WARNING

This equipment must be installed and serviced by a qualified technician. Improper installation may result in property damage, serious injury or death. Improper installation and/or operation will void the warranty.



Notice to Installer

This manual contains important information about the installation, operation and safe use of this product. Once the product has been installed **this manual must be given to the owner/operator of this equipment.**

Table of

Contents

SAFETY INFORMATION	01
MULTICYCLONE	02
MULTICYCLONE TOTAL HEAD LOSS CURVE	04
INSTALLATION	04
START UP PROCEDURES	08
MULTICYCLONE FILTER MAINTENANCE	09
INSUFFICIENT WATER PRESSURE	10
GENERAL MAINTENANCE GUIDE	11
WINTERISING	12
TROUBLESHOOTING GUIDE	13
WARRANTY	13

SAFETY INFORMATION

1. The Waterco MultiCyclone filters are designed to work with water at a temperature > than 0°C and < than 45°C. The filter should never be operated outside of these temperatures or damage may occur.
2. The installation should be carried out in accordance to local safety standards and bylaws.
3. Any modification of the filter requires the prior consent from Waterco. Original replacement parts and accessories authorised by the manufacturer ensure a high level of safety. Waterco assumes no liability for the damage and injuries caused by unauthorised replacement parts and accessories.
4. The user should make sure that the installation is carried out by qualified authorised persons and that these persons have first carefully read the following instructions.
5. The operating safety of the filter is only guaranteed if the installation and operation instructions are correctly followed.
6. In the event of defective operation or fault, contact Waterco or its nearest authorised service agent.
7. To reduce the risk of injury, do not permit children to use this product.
8. Incorrectly installed equipment may fail, causing severe injury or property damage.
9. Chemical spills and fumes can weaken Swimming Pool / Spa equipment. Corrosion can cause filters and other equipment to fail, resulting in severe injury or property damage. Do not store pool chemicals near your equipment.

MULTICYCLONE

MultiCyclone is a brilliant prefiltration device that can save water and minimise pool filter maintenance. Based on the principals of centrifugal water filtration, MultiCyclone filters up to 80% of the pool's dirt load before it reaches the pool filter and only requires 15 litres (4 gallons) of water to cleanse.

- Minimises filter maintenance and saves water.
- No filter media to clean or replace.
- Multiple hydrocyclones.
- Suitable for new and existing installations.



Centrifugal Water Filtration

Incoming water tangentially enters its multiple hydrocyclones, generating a strong centrifugal effect. Approximately 80% of the incoming dirt load is spiralled down to its clear sediment chamber. The outgoing water is piped to the finally polished via the pools filtration system.

Simple maintenance

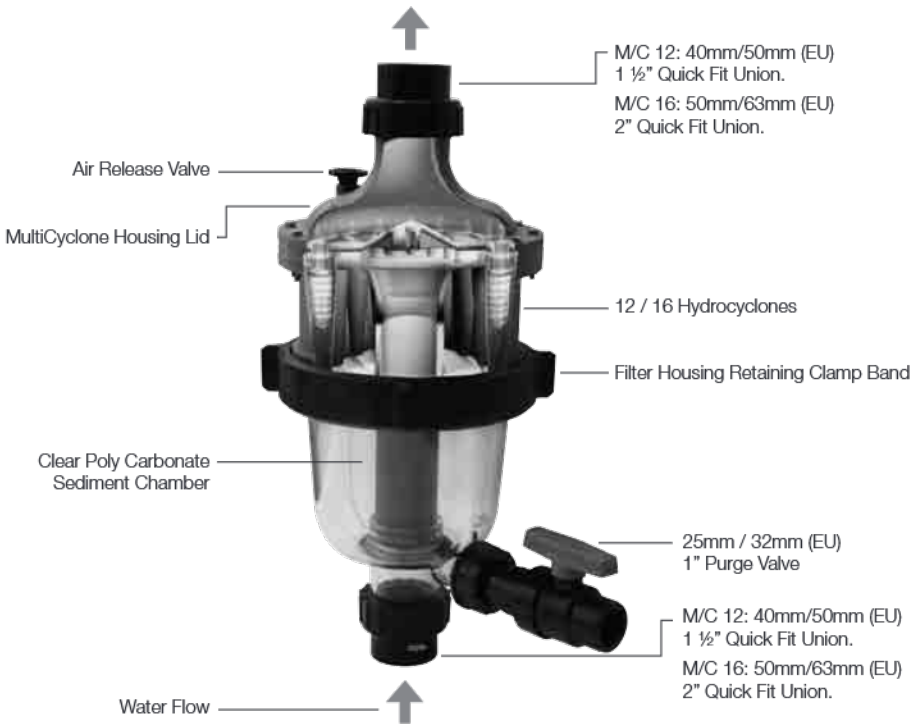
The MultiCyclone sediment chamber is easily cleaned by opening its purge valve. Only 15 litres (4 gallons) of water is discharged.

Minimise Sand Filter Backwash Frequency

The installation of a MultiCyclone as a pre-filter to a sand filter can reduce its backwash frequency to once per year, resulting in a saving of up to 7000 litres (1850 gallons) of water per year for an average domestic sized swimming pool.

Minimise Filter Cartridge Cleaning and Replacement

The installation of a MultiCyclone as a pre-filter to a cartridge filter can reduce filter cartridge cleaning and replacement to once per swimming season and even up to once per year, depending on the size of the cartridge filter.

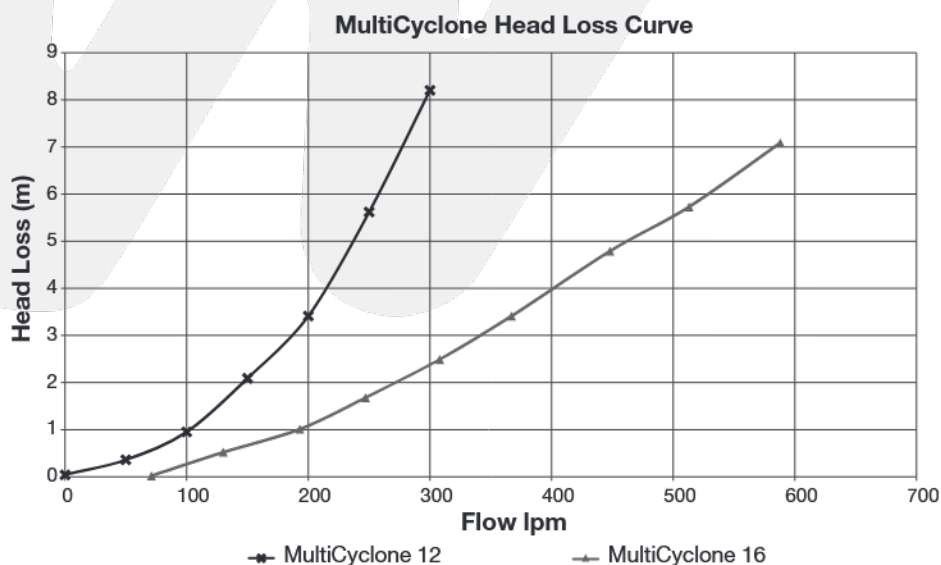


The accumulation of sediment can be visibly monitored through the MultiCyclone clear sediment chamber. The MultiCyclone sediment chamber is cleaned by simply opening the purge valve. Only 15 litres (4 gallons) of water is discharged to clean the MultiCyclone of sediment

Note: The MultiCyclone centrifugal section is designed to filter sediment that is heavier than water; floating debris cannot be filtered out by centrifugal filtration.

Model	Connection Ports	Minimum Flow	Maximum Flow	Max. Pressure
MultiCyclone 12	40mm / 50mm (EU) / 1 1/2" Quick Fit Union	40lpm / 2.4 m ³ /hr / 11gpm	300lpm / 18m ³ /hr / 79gpm	350 kPa (50psi)
MultiCyclone 16	50mm / 63mm (EU) / 2" Quick Fit Union	50lpm / 3 m ³ /hr / 13gpm	500lpm / 30m ³ /hr / 132gpm	350 kPa (50psi)

MULTICYCLONE PLUS TOTAL HEAD LOSS CURVE



INSTALLATION

Be sure to comply with the local plumbing codes.

Be sure that all provisions for wastewater disposal meet local, state or national codes. Do not discharge water where it will cause flooding or damage.

If the incoming water pressure is higher than the maximum operating pressure of 350kPa / 3.5Bar / 50psi, a Pressure Regulating Valve (PRV) must be installed upstream of the filter inlet.

The PRV should be set to 90% of the maximum operating pressure of the tank.

If the incoming water flow is less than the filter's minimum flow requirements, the filter's filtration efficiency will be affected, please consult Waterco.

Typical Installation

1. Position the filter as close to the Swimming Pool / Spa as possible.
2. Position the filter so that it is free from flooding, away from sumps, guttering, garden hollows, etc.
3. Position the filter so that the piping connections purge valve and air release valve is convenient and accessible for operation, servicing and winterising.
4. Ensure that the compliance label is facing the front to allow easy identification.
5. The filter should be placed on a level concrete slab, very firm ground, or equivalent. Ensure that the ground will not subside, preventing any strain from the attached plumbing.
6. Ensure that there is no movement of the filter during operation of the Purge valve.
7. Allow sufficient clearance around the filter to permit visual inspection of the entire system.



Typical Installation with a Sand Filter



Typical Installation with a Cartridge Filter

Optional Mounting Stand (200373)

An optional mounting stand is also available for situations where the MultiCyclone cannot be installed directly above your pool pump.



Installation with optional Mounting Stand

Plumbing

1. Check that the incoming water pressure is within the filter's recommended working pressure and ensure that a pressure limiting valve is installed if using mains water or a high pressure pump.
2. Ensure that a foot valve / non return valve are installed if the pump is installed 500mm / 20" above the water level.
3. If the filter is installed below the water level or connected to mains water, isolation valves should be installed at the inlet and outlet of the filter. This will prevent water flow during any routine maintenance.
4. Minimise the length of pipe and the number of fittings to minimise restrictions to water flow.
5. Ensure that all plumbing connections are glued and tightened securely to prevent leaking.
6. Ensure solvents are not excessively applied to fittings as this could run into "o"-rings and create sealing problems.
7. Do not over tighten fittings or adapters.

Screw the supplied half barrel unions and tails onto the inlet and outlet before gluing the UPVC piping onto the filter.

CAUTION

Use only recommended glue for connection pipe and fittings

Cut and fit the pipe and fittings onto the MultiCyclone and the pump. **Refer** to Pump Installation Manual for correct pump plumbing procedures.

It is **best practice** to fit all the cut pipe and fittings onto the filtration system **before** gluing; this will ensure that the system has **been aligned** correctly.

Glue the pipe and fittings onto the pump, filter and pool return lines and **allow** the glue to set **for 24 hours** before commissioning the system.

Plumbing Connection

1. Ensure that a foot valve / non return valve is installed if the pump is installed 500mm / 20" above the water level.
2. If the filter is installed below the water level or connected to mains water, isolation valves should be installed at the inlet and outlet of the filter. This will prevent water flow during any routine maintenance.
3. Minimise the length of pipe and the number of fittings to minimise restrictions to water flow.
4. Connect the pipe extending from the pump outlet to the inlet of the MultiCyclone.
5. Connect from the pipe extending from the outlet of the MultiCyclone to the next component in line with the filtration system.
6. Glue all plumbing to barrel union fittings in accordance with glue (solvent) manufactures specifications and allow 24 hours to set. Ensure glue (solvent) is not excessively applied to fittings as this could run onto "o"-rings and create sealing problems.

Note: Waterco recommends that a shut off valve be installed after the MultiCyclone on the pool return line to assist with flushing out the collected debris. Please refer to "Insufficient Water Pressure".

7. Connect to Waste Line. Glue the plumbing from the Sediment Purge Valve to your waste line.
8. Turn on pool pump. Be sure to check that there are no leaks from the connectors. If required, tighten by hand.

START UP PROCEEDURE

The MultiCyclone is an advanced and highly efficient filter system that will provide years of trouble free service if the following maintenance procedures are maintained.

To start up the filtration system either from new or after cleaning is exactly the same.

1. Ensure that the MultiCyclone is plumbed correctly.
2. Ensure that all valves installed before and after the MultiCyclone are open.
3. Loosen the air release valve on top of the MultiCyclone filter.
4. Prime the swimming pool pump. (Refer to the pump installation and operation manual).
5. Turn on the swimming pool pump and allow the pump to run until all the air has been expelled from the MultiCyclone. Water will run from the air release valve.
6. Re-tighten the air release valve.
7. The filter is primed and ready for operation.

Note: In some cases this may be required to be done a few times before the unit will remain primed and be fully operational.

CAUTION

Do not stand over the top of the MultiCyclone whilst adjusting the air release valve to purge the system of air.

Injury may occur if air release valve becomes loose.

MULTICYCLONE FILTER MAINTENANCE

The MultiCyclone Plus filter maintenance is determined by the following conditions:

1. The sediment chamber is half filled with sediment. This accumulation of sediment can be visibly monitored through the MultiCyclone clear sediment chamber. The MultiCyclone is cleaned by simply opening the purge valve. Only 15 litres (4 gallons) of water is discharged to clean the MultiCyclone of sediment.

Flush out the sediment chamber

With pump running:

Whilst the water pump is running simply open the sediment purge valve until the sediment has been flushed out. This is visible through the clear sediment chamber. Once the sediment has been flushed out, close the purge valve.

Without pump running:

Alternatively, switch the pump, off. Open the air release valve and then open the purge valve. The water will drop through the MultiCyclone flushing out most of the debris from the sediment chamber. Then close the air release valve and turn on the pump and the turbulence of the water entering the sediment chamber will flush out the rest of the sediment. Once the sediment chamber has been cleansed, close the purge valve, start the pump and close the air release valve once water is flowing out through the air release valve.

INSUFFICIENT WATER PRESSURE

In situations where the water flow from the pump is not powerful enough to purge the sediment out of the sediment chamber, Waterco recommends fitting a 2 way valve after the MultiCyclone on the pool water return line.

The 2 way valve is used to throttle the flow of water out of the MultiCyclone, increasing water turbulence through the sediment chamber and improving its purging action.

Whilst the pump is operating, open the purge valve, and then partially close the 2 way valve, throttling the water flow sufficiently to purge the sediment chamber of trapped sediment. Once the sediment chamber is clean, open the 2 way valve and then close the purge valve.

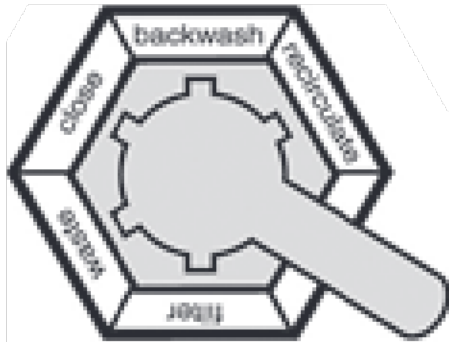


Installation with 2 way shut off valve Cartridge Filter

⚠ CAUTION

Do not close the 2 way valve prior to opening the purge valve and do not close the purge valve while the 2 way valve is closed or partially closed. Both valves should never be closed or partially closed at the same time.

If the MultiCyclone is installed as a pre-filter to a sand filter, water flow to the sand filter can be closed via the sand filter's multiport valve.*



***NOTE:** This position is not available on 4-Way Multiport Valves.

GENERAL MAINTENANCE GUIDE

To ensure the maximum life of the MultiCyclone, please follow the procedures below:

1. Visually monitor through the MultiCyclone clear sediment chamber. Clean sediment chamber when accumulated sediment is half full.
2. Maintain a correct chemical balance of your pool / spa water. The chemical balance of water is a relationship between its pH, total alkalinity, calcium hardness and water temperature. The water must be maintained at all times to the following:

PH LEVEL	: BETWEEN 7.2 & 7.8.
TOTAL ALKALINITY	: BETWEEN 80 & 150ppm.
CALCIUM HARDNESS	: BETWEEN 150 & 300ppm.

Also, within these tolerances be balanced to the Langelier Saturation Index within a range of -0.2 to +0.2.

Note: Testing kits are available to test the water yourself or alternately bring a sample of the water to a professional pool and spa shop.

3. Mains water and rural water supplies need to be monitored. Saturation (life) in mains water or bore (rural) will vary depending on water quality.
4. To prevent damage to the pump and filter and for proper operation of the system, clean pump strainer and skimmer baskets regularly.
5. Replace the pressure gauge if faulty readings are observed.

WINTERISING

Proper winterising procedures should always be taken in order to protect your filter in cold climates (temperatures below freezing point).

1. Switch off the Pump / Close the inlet valve.
2. Open the air release valve and open the purge valve to allow water to flow out of the MultiCyclone.
 - a. Sand Filter, move the Multi Port Valve handle to the winterise position (between filter and waste).
 - b. Cartridge Filter, open air release valve.

This will allow air to through to all ports.

3. Remove any drain plugs from the pump.
4. Drain water from the pipe work.

TROUBLESHOOTING GUIDE

Symptoms	Possible Problems / Solutions
Water Is Not Clear	Insufficient disinfectant level.
	Incorrect pool chemistry.
	Heavy bathing and/ or dirt loads.
	Incorrect flow.
	Insufficient running times. (Increase pump run time.)
	Filter is dirty. (Clean per instructions.)
	Hole in filter element.
	Air leak on suction line
	Pump impeller vanes blocked
	Other restrictions include (pool suction cleaners) resistance from other inline equipment such as strainers.
Pump not primed.	
Low Water Flow	Check strainer baskets for debris.
	Check for air leaks on suction side.
	Check for restrictions or blockage in either suction or return lines.
	System filter needs to be cleaned or replaced.
	Pool water level too low.
	Pump not primed.
	Pump impeller vanes blocked.
	Strainer baskets not being used and/ or not being cleaned regularly.
	Pump operating under speed (low voltage).
Short Filter Cycles	Presence of algae, check disinfectant content.
	Check pH and total alkalinity.
	Pump output exceeds design flow rate of filter, check pump performance.
	Ineffective cleaning, check conditionsof sediment chamber.
High Pressure on Start Up	Small eyeball fitting in Pool/ Spa.
	Partially closed valve on return line.
	Too large of pump, check selection.

WARRANTY

MultiCyclone is covered by a 2 year warranty and 1 year warranty on labour. Commercial installations are covered by a 1 year warranty.

Please refer to Waterco's warranty terms and conditions.

OFFICES - AUSTRALIA

NSW - SYDNEY
(HEAD OFFICE)
Tel: +61 2 9898 8600

QLD - BRISBANE
Tel: +61 7 3299 9900

VIC/TAS - MELBOURNE
Tel: +61 3 9764 1211

WA - PERTH
Tel: +61 8 9273 1900

SA/NT - ADELAIDE
Tel: +61 8 8244 6000

ACT DISTRIBUTION
Tel: +61 2 6280 6476

OFFICES - OVERSEAS

WATERCO (EUROPE) LIMITED
Sittingbourne, Kent, UK
Tel: +44 (0) 1795 521 733

WATERCO FRANCE
Saint Priest, France
Tel: +33 4 72 79 33 30

WATERCO (USA) INC
Augusta, Georgia, USA
Tel: +1 706 793 7291

WATERCO CANADA
Longueuil, Quebec, Canada
Tel: +1 450 748 1421

WATERCO (NZ) LIMITED
Auckland, New Zealand
Tel: +64 9 525 7570

WATERCO © LIMITED
Guangzhou, China
Tel: +86 20 3222 2180

WATERCO (FAR EAST) SDN BHD
Selangor, Malaysia
Tel: +60 3 6145 6000

PT WATERCO INDONESIA
Jakarta, Indonesia
Tel: +62 21 4585 1481

WATERCO SINGAPORE INTL PTE LTD
Nehsons Building, Singapore
Tel: +65 6344 2378

WATERCO

Waterco Limited ABN 62 002 070 733

